

Modular conductivity level switch

Characteristics



Input: conductivity (in aqueous solutions)

Output: conductivity

Option: 1 electronic changeover contact (open collectors PNP)

Accuracy: $\pm 10\%$

Vibrating protection: Enclosure completely potted

Enclosure: stainless steel 1.4571

Fitting length: up to 200 mm

Process connection: 3/8" / 1/2" / 3/4" / 1" / 3/8 NPT / 1/2 NPT

Electrical connection: M12x1 / MIL-plug / valve plug / cable

Protection: IP 67

Technical data

Input

Conductivity: $>2,8 \text{ mS/m}$
Medium: conductive aqueous solutions

Output

Conductivity: $>2,8 \text{ mS/m}$
Option: Electronic changeover contact:
1x open collector PNP: liquid detected
1x open collector PNP: liquid not detected
Voltage: 8...24 VDC (as supply)
Current: 100 mA maximum
Protection: fuse 100 mA

Accuracy

Standard: $\pm 10\%$

Supply (with option electronic contact)

Voltage: 8...24 VDC
Current consumption: 25 mA (outputs without load)
Reverse battery protection: yes

Temperature conditions

Operation: 0...+85°C
Storage: -40...+95°C

Mechanics

Dimension of enclosure:

MIL plug: $\varnothing 31 \times 86 \text{ mm} + \text{fitting length}$

Valve plug: $\varnothing 31 \times 77 \text{ mm} + \text{fitting length}$

Plug M12x1: $\varnothing 31 \times 63 \text{ mm} + \text{fitting length}$

Screwed cable gland: $\varnothing 31 \times 73 \text{ mm} + \text{fitting length}$

Material:

Body of enclosure: stainless steel 1.4571

Insulator: Teflon (PTFE)

Colour: stainless steel natural

Weight (model 1/2", 50 mm fitting length)

MIL plug: ca. 230 g

Valve plug: ca. 190 g

Plug M12x1: ca. 190 g

Screwed cable gland: ca. 190 g

Electrical connection:

MIL plug: D38999, 6-pole

Valve plug: DIN EN 175301-803, 4-pole

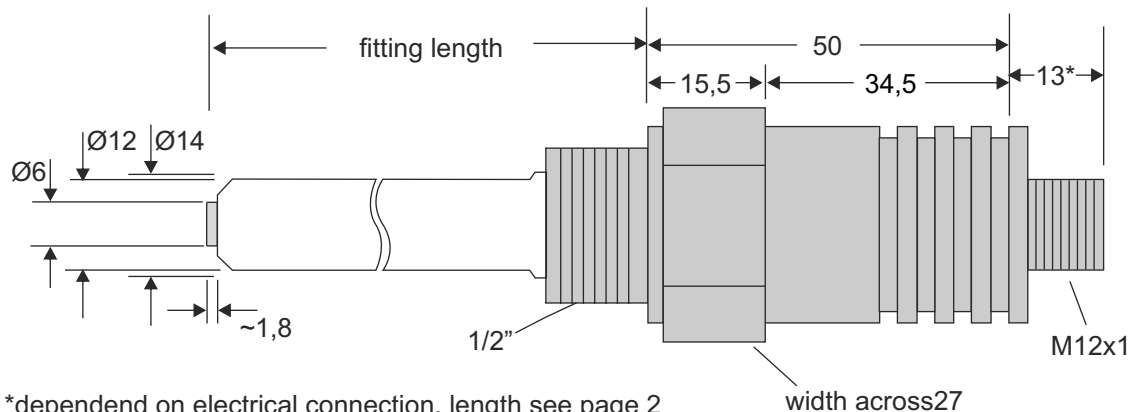
Plug M12x1: compatible RSE4, 4-pole

Screwed cable gland: M12x1,5 MS-SC-M, 2 m cable

Vibrating protection: Enclosure completely potted

Protection: IP 67

Dimensions (in mm)



*dependend on electrical connection, length see page 2

Applications

Suitable as a level limiting value switch in conductive aqueous solutions in simple control loops. For use in industrial plants, terotechnology, public utility and machines. Due to the used materials and the compact design, this sensor with its small dimensions is very robust.



photo: © klaus.dosch / PIXELIO

www.pixelo.de



photo: www.pixelquelle.de

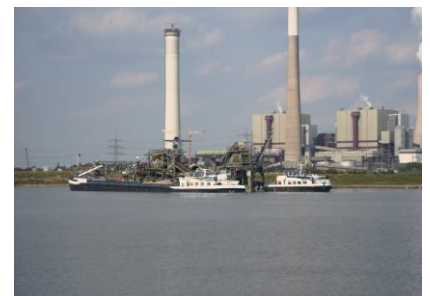


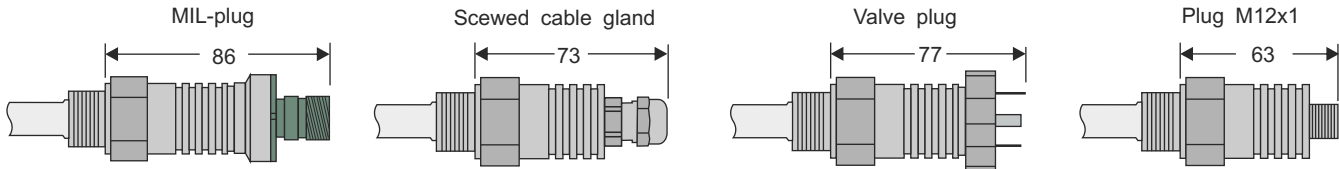
photo: www.pixelquelle.de

Ordering code

M	C	X	X	X	X	X	X	-	X	X	X
---	---	---	---	---	---	---	---	---	---	---	---

Input:	conductivity >2,8 mS / m	0
Output:	1 electronic changeover contact conductivity	0 1
Fitting length:	25 mm	0
	50 mm	1
	75 mm	2
	100 mm	3
	125 mm	4
	150 mm	5
	175 mm	6
	200 mm	7
	other (please indicate)	8
Process thread:	3/8"	0
	1/2" (standard)	1
	3/4"	2
	1"	3
	3/8" NPT	4
	1/2" NPT	5
	without thread	6
Electrical connection:	screwed cable gland with 2 m cable	0
	MIL-plug D3899, 6-pole	1
	valve plug DIN EN 175301-803, 4-pole	2
	RSE4 compatible plug M12x1, 4-pole	3
Other /accessories	customized model	0

View



Connection

MIL-plug	Screwed cable gland	Valve plug	Plug M12x1	Signals
				dependent on voltage supply no liquid output = 8...24 VDC liquid existing output = 8...24 VDC* supply 8...24 VDC supply 0 V
+ — 1 ⊥ — 3	+ — bn ⊥ — wh	+ — 1 ⊥ — 3	+ — 1 ⊥ — 3	} conductivity