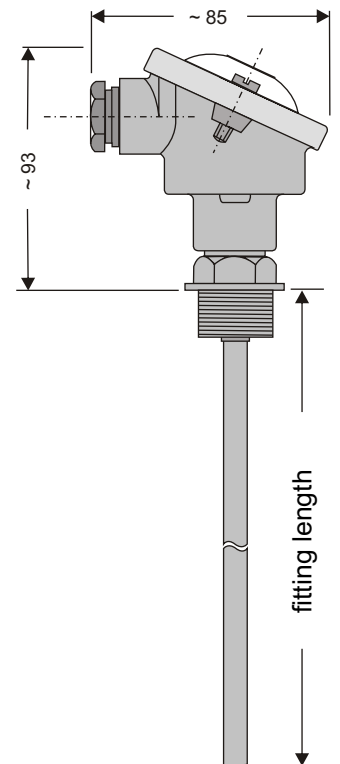
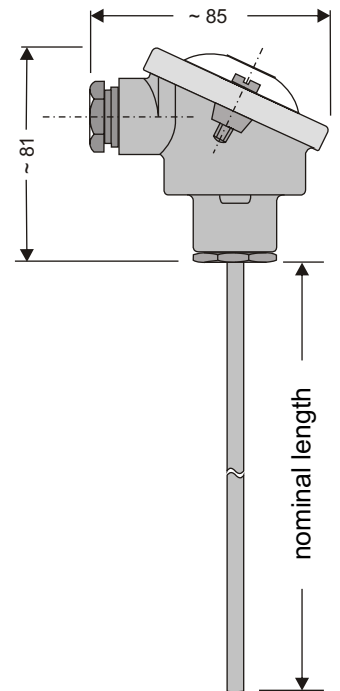


Thermocouple with terminal head B

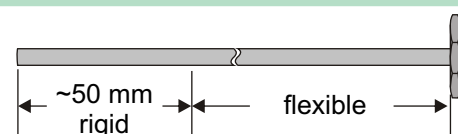
Characteristics

Thermocouple:	1x type J (Fe-CuNi) / 1x type K (NiCr-Ni) 2x type J / 2x type K
Type:	standard element (S) / mineral insulated element (M)
Model:	screw-in sensor (ES) / dip-in sensor (ET)
Protective sheath:	stainless steel 1.4571 (316Ti) for standard element stainless steel 2.4816 (Inconel 600) for M.I. element
Ø Protective sheath:	
standard element:	ES: 3 / 4 / 5 / 6 / 7 / 8 / 9 / 10 / 11 / 15 mm ET: 5 / 6 / 7 / 8 / 9 / 10 / 11 / 15 mm
M.I. element:	ES: 1,5 / 3 / 4,5 / 6 mm ET: 6 mm
Length:	50 / 100 / 160 / 200 / 250 / 400 / 600 / 1000 mm
(fitting and nominal)	maximum length: 2000 mm option: according to details
Process connection:	1/4" / 3/8" / 1/2" / 1" / 1/4NPT / 3/8NPT / 1/2NPT
Bend radius:	minimum 5x of sheath tube
Terminal head:	material: aluminium process connection: M24x1,5 cable connection: M20x1,5 connection: ceramic block with terminal posts
Protection:	terminal head IP 54
Insulating resistance:	test voltage: 500 VDC
Mineral insulator:	standard: aluminium oxide M.I. element: metal oxide
Accuracy:	according DIN EN 60584-2 class 1 type J: $\pm 1,5$ °C (-40...375 °C) $\pm 0,004 t $ (375...750 °C) type K: $\pm 1,5$ °C (-40...375 °C) $\pm 0,004 t $ (375...1000 °C)
Response time:	sheath 6x0,5 mm: t90: 30,9 s / t50: 12 s sheath 6x1 mm: t90: 22,1 s / t50: 7,6 s
Accessories:	connection cable / transmitter compression fitting



all dimensions in mm

Protective sheath mineral insulated element



Bestellangaben für ID: KC

Type thermocouple

- 0 1x type J
 1 1x type K
 2 2x type J
 3 2x type K

Type

- 0 standard element (S)
 1 mineral insulated element (M)

Model

- 0 screw-in sensor (ET)
 1 dip-in sensor (ES)

Material protective sheath

- 0 stainless steel 1.4571 (316Ti) (S)
 1 stainless steel 2.4816 (Inconel 600) (M)

Ø protective sheath

- 0 1,5 mm (M), ES types only
 1 3 mm (S, M), ES types only
 2 4 mm (S), ES type only
 3 4,5 mm (M) ES type only
 4 5 mm (S)
 5 6 mm (S, M)
 6 7 mm (S)
 7 8 mm (S)
 8 9 mm (S)
 9 10 mm (S)
 A 11 mm (S)
 B 15 mm (S)

Fitting length / Nominal length

- 0 50 mm
 1 100 mm
 2 160 mm
 3 200 mm
 4 250 mm
 5 400 mm
 6 600 mm
 7 1000 mm
 8 andere Länge

 mm**Process connection**

- 0 1/4"
 1 3/8"
 2 1/2"
 3 1"
 4 1/4NPT
 5 3/8NPT
 6 1/2NPT

Special model

- 0 customized (please indicate)

Used temperature range

please indicate

-

°C

* S = standard element

M = mineral insulated element

Maximum operative temperature range:

Thermocouple: type J: -200...700 °C / type K: -200...1000 °C

Protective sheath: stainless steel 1.4571 (316Ti): up to 600°C /
 stainless steel 2.4816 (Inconel 600): up to 1100 °C

Terminal head: up to 480 °C